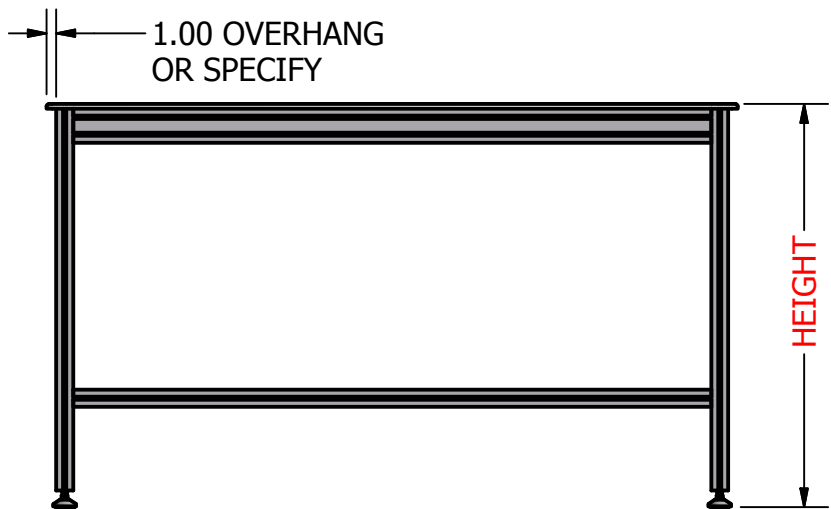
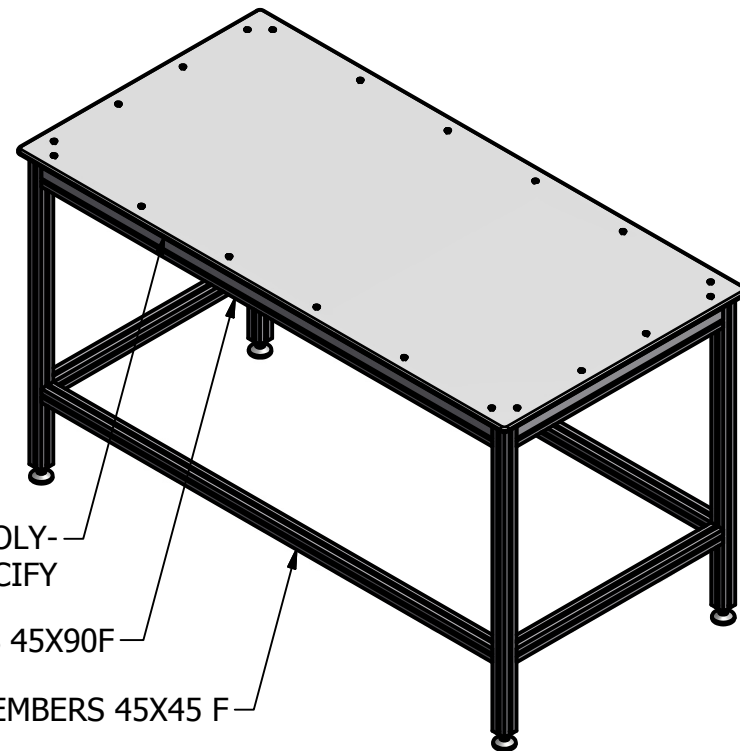


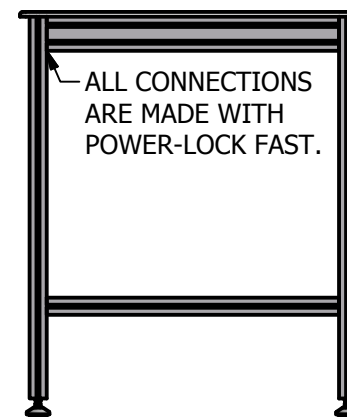
TABLE TOP 1/2" WHITE POLY-ETHYLENE OR SPECIFY

UPPER MEMBERS 45X90F

LOWER MEMBERS 45X45 F



21.1881 M8 LEVELING PAD WITH Ø60mm BASE (OR SPECIFY)

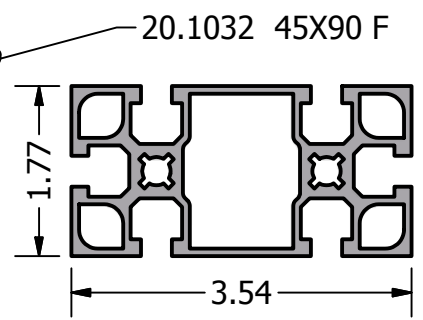
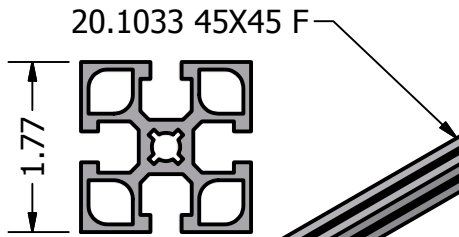
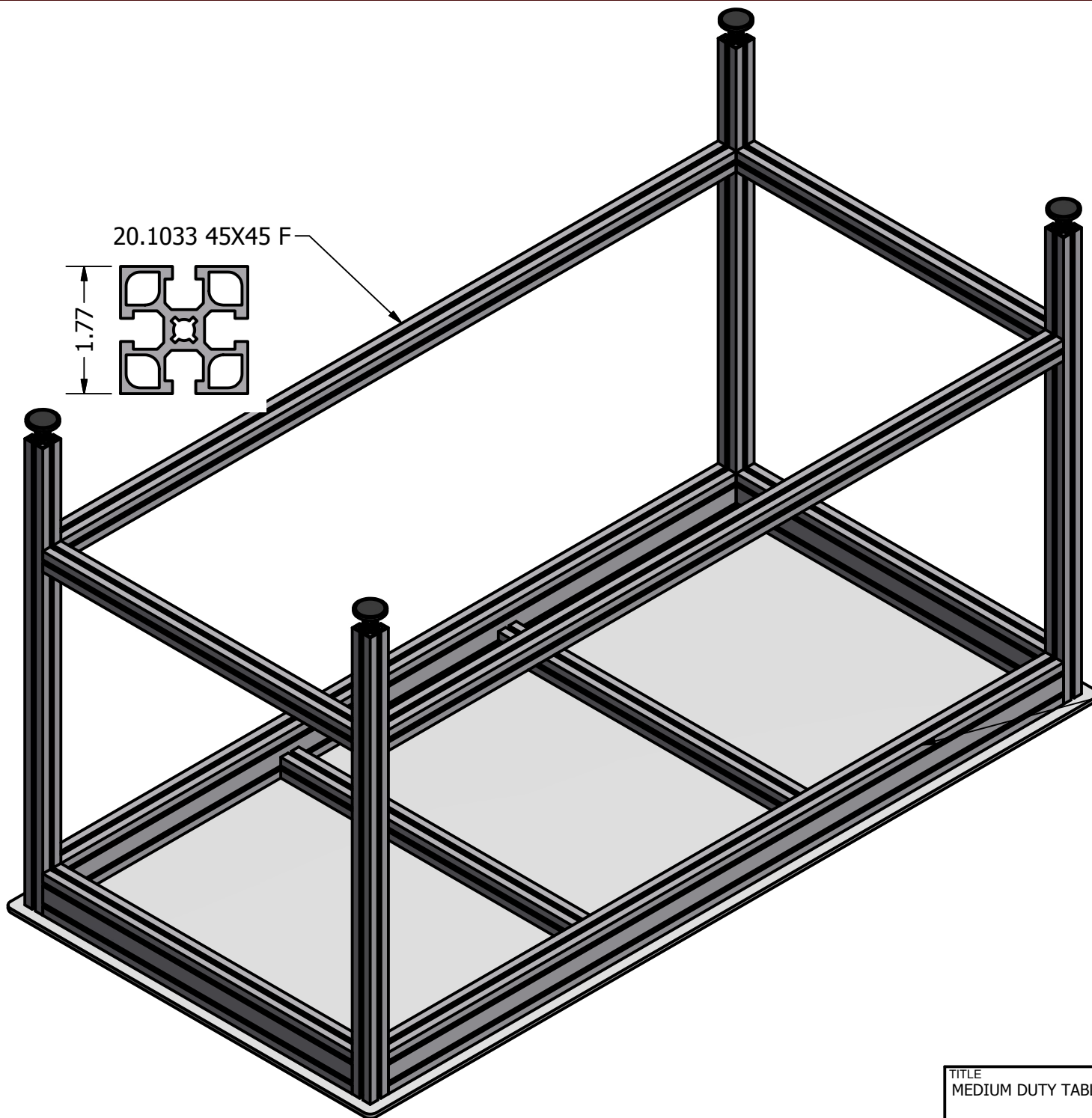


ALL CONNECTIONS ARE MADE WITH POWER-LOCK FAST.

LOAD RATING DEPENDS ON SIZE & TYPE OF USE. THIS DESIGN IS GENERALLY FOR THE 250 - 500 POUND RANGE

MiniTec
THE ART OF SIMPLICITY
WWW.MINITECFRAMING.COM
VICTOR, NY
PH # 585 924-4690
DIRECT 585 398-1240 EXT 104
FX # 585 924-4821
amoles@minitecframing.com

TITLE MEDIUM DUTY TABLE	DWG NO SP042913	REV
----------------------------	---------------------------	-----



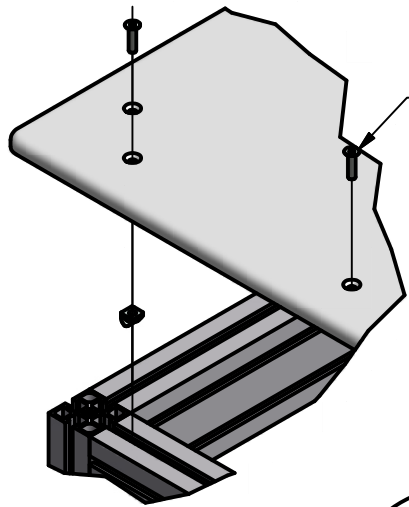
WWW.MINITECFRAMING.COM
 VICTOR, NY
 PH # 585 924-4690
 DIRECT 585 398-1240 EXT 104
 FX # 585 924-4821
amoles@minitecframing.com

MiniTec
 THE ART OF SIMPLICITY

TITLE
 MEDIUM DUTY TABLE

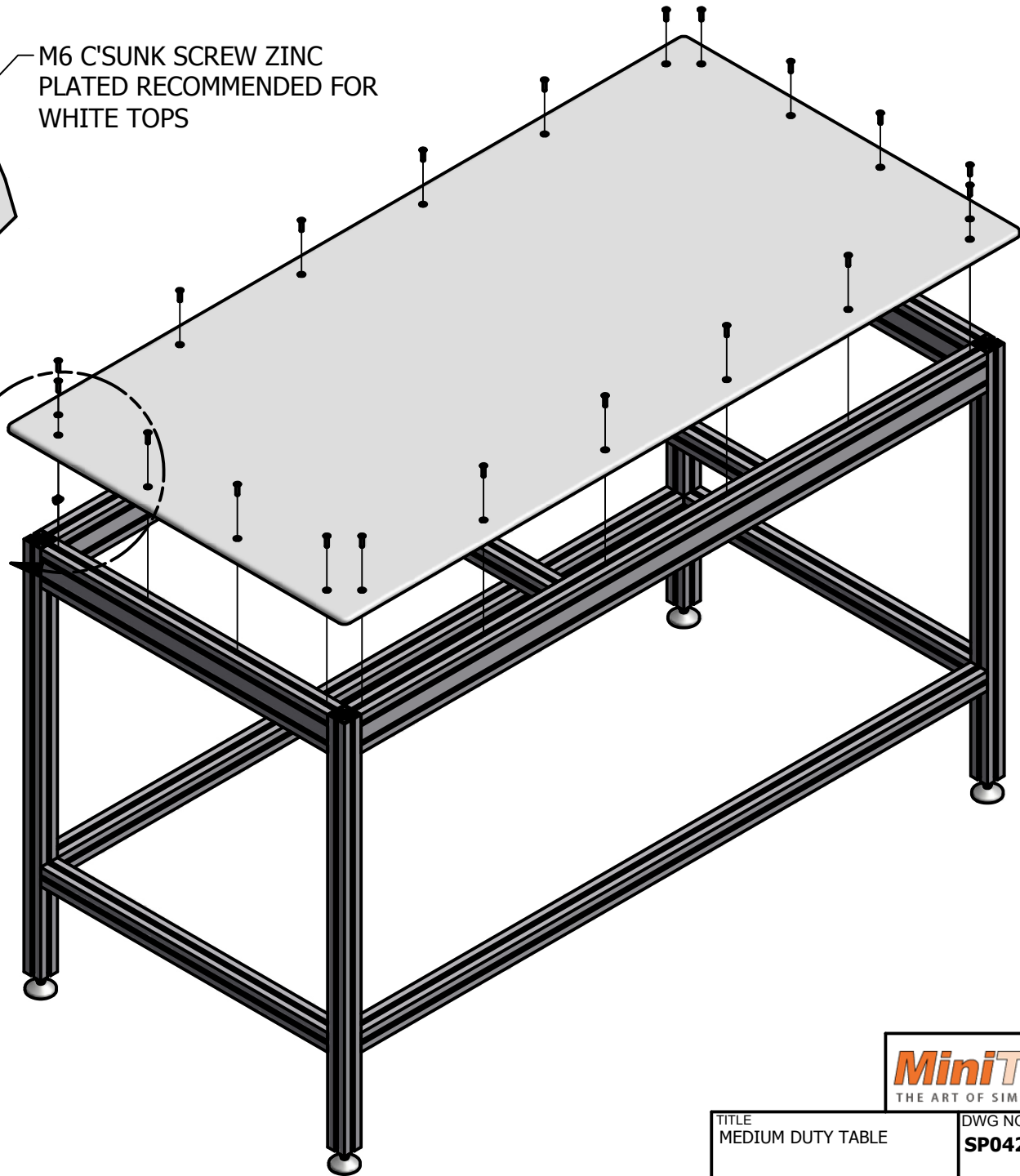
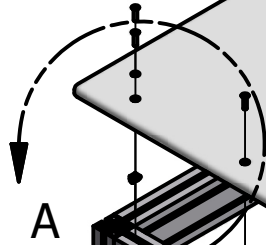
DWG NO
SP042913

REV



M6 C'SUNK SCREW ZINC
PLATED RECOMMENDED FOR
WHITE TOPS

DETAIL A
SCALE 0.17 : 1

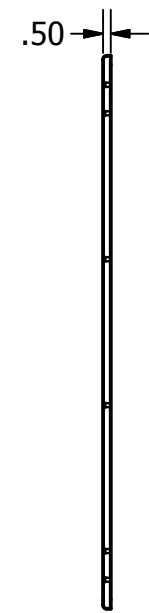
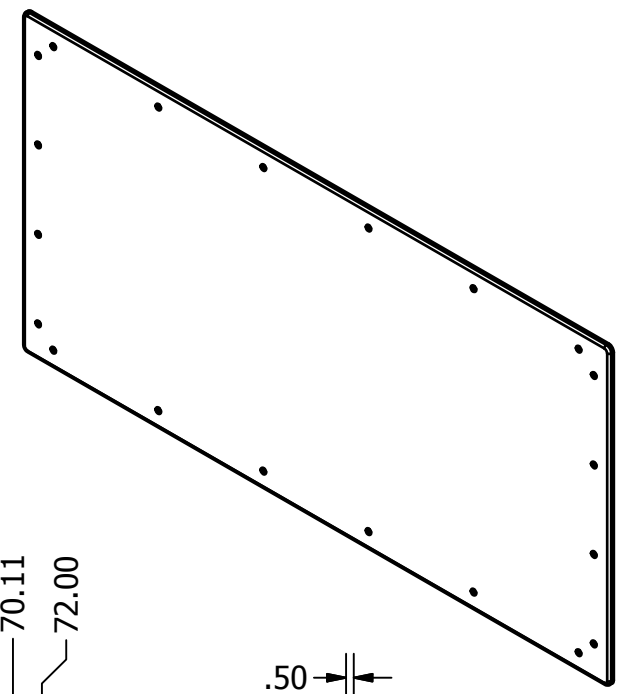
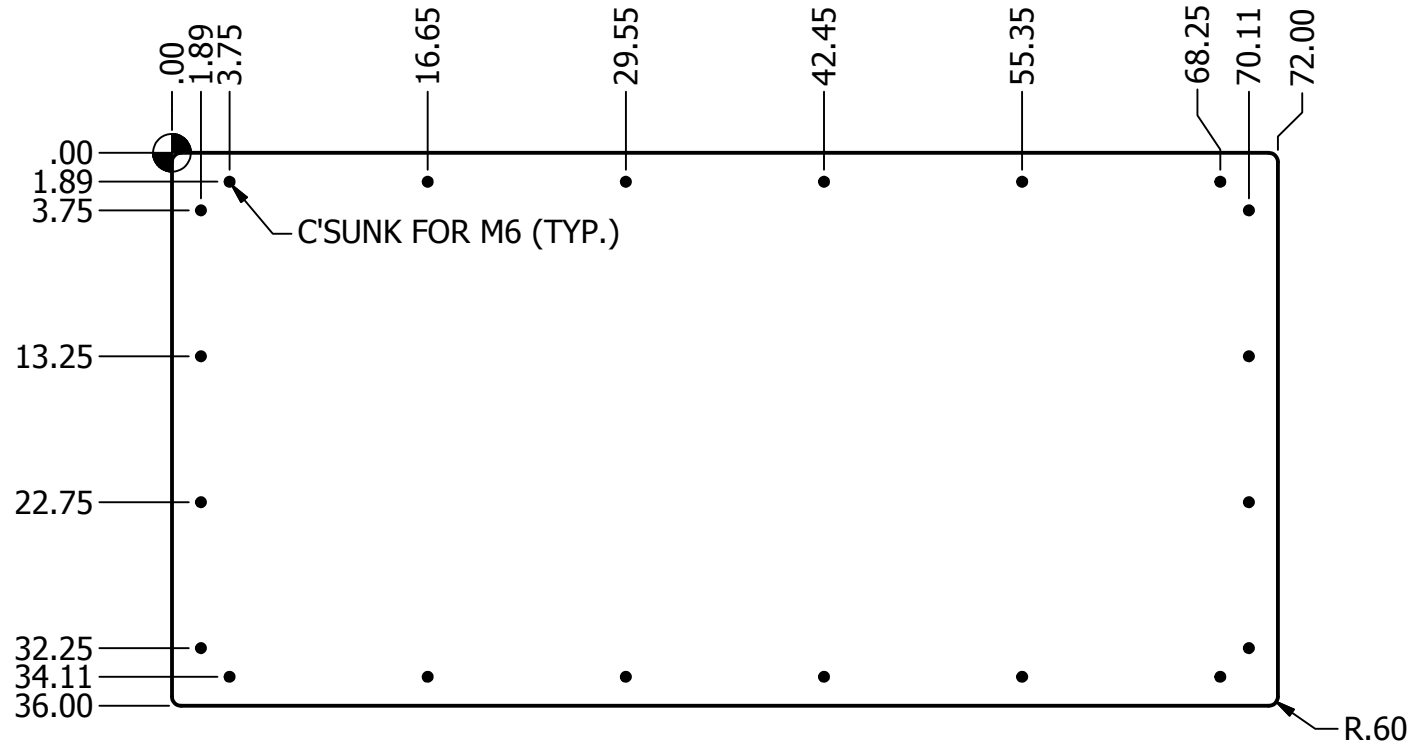


WWW.MINITECFRAMING.COM
VICTOR, NY
PH # 585 924-4690
DIRECT 585 398-1240 EXT 104
FX # 585 924-4821
amoles@minitecframing.com

MiniTec
THE ART OF SIMPLICITY

TITLE MEDIUM DUTY TABLE	DWG NO SP042913	REV
----------------------------	---------------------------	-----

EXAMPLE TABLE TOP FOR 36" DEEP X 72" WIDE TABLE WITH 1" OVERHANG




 WWW.MINITECFRAMING.COM
 VICTOR, NY
 PH # 585 924-4690
 DIRECT 585 398-1240 EXT 104
 FX # 585 924-4821
 amoles@minitecframing.com

TITLE MEDIUM DUTY TABLE	DWG NO SP042913 TABLE TOP	REV
----------------------------	-------------------------------------	-----